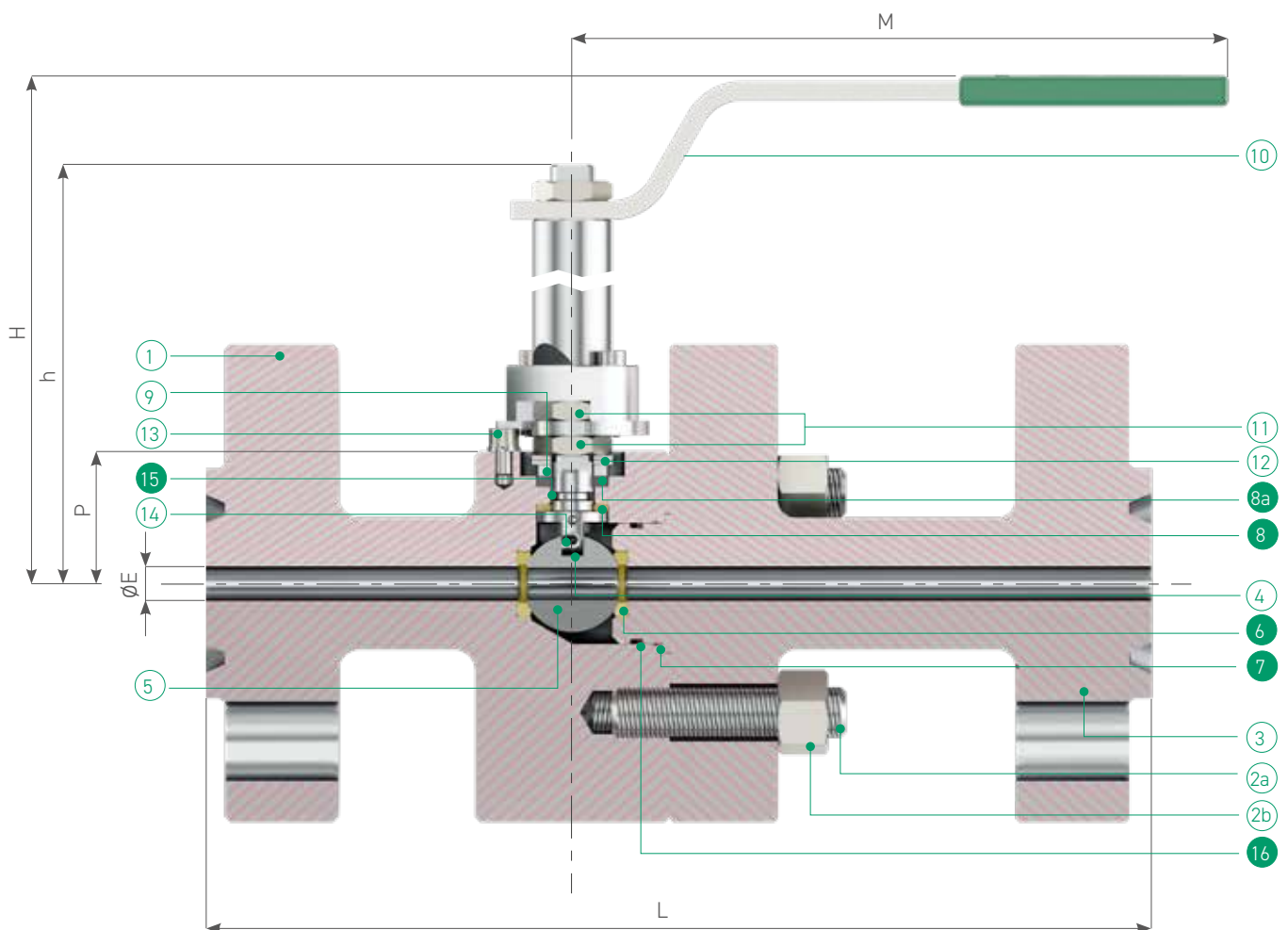
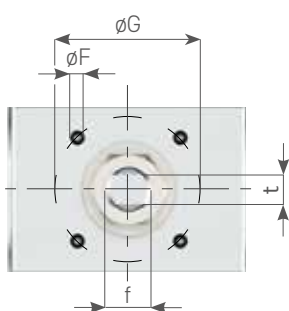


ALFA 625 ANSI 2500

Split body ball valve - Full bore
Flansch-Kugelhahn 2-teilig,
voller Durchgang



Actuator - valve coupling /
Anschlußflansch für Antriebs-
montage ISO 5211



ALFA 625 ANSI 2500

Standard valve materials / Kugelhahn Standardwerkstoffe

| P | PART NAME BEZEICHNUNG | Q.TY STK | MATERIALS WERKSTOFFE | |
|----|---|-------------|---|---------------------------|
| | | | CARBON ST./C-STAHL | STAINL. ST./EDELSTAHL |
| | | | BARSTOCK BODY GEHÄUSE STABSTAHL | |
| 1 | body Gehäuse | 1 | ASTM A105N/LF2 | ASTM A479 316/316L |
| 2a | stud Stiftschraube | 4/8 | ASTM A193 B7 | ASTM A193 B8M |
| 2b | nut Mutter | 4/8 | ASTM A194 2H | ASTM A194 B8 |
| 3 | closure Verschluss | 1 | ASTM A105N/LF2 | ASTM A479 316/316L |
| 4 | stem Schaltwelle | 1 | ASTM A182 F51 | |
| 5 | ball Kugel | 1 | ASTM A182 F51 | |
| 6 | seats Sitzring | 2 | DEVLON | |
| 7 | 1 st body gasket 1. Gehäusedichtung | 1 | P.T.F.E. | |
| 8 | washer Dichtscheibe | 1 | DEVLON | |
| 8a | stem gasket Schaltwellendichtung | 2 | GRAPHOIL | |
| 9 | gland Druckring | 1 | CS Zinc Coated/C-St verz. | Stainl. Steel/Edelst. 316 |
| 10 | lever Handhebel | 1 | Carbon Steel Zinc Coated / C-Stahl verzinkt | |
| 11 | stem nut Schaltwellenmutter | 2 | Cl. 8 | A4-40 (AISI 316) |
| 12 | spring washer Tellerfeder | 2 | 51CrV4 Zinc Coated/verz | AISI 316 |
| 13 | stop device Anschlag | 1 | Cl. 8.8 Zinc Coated/verz | AISI 316 |
| 14 | antistatic device Antistatikvorrichtung | 2 | AISI 316 | |
| 15 | stem O-ring O-Ring Schaltwelle | 1 | VITON 90 sh. A AED | |
| 16 | body O-ring + BK O-Ring Gehäuse + BK | 1 | VITON 90 Sh. A AED + PTFE | |

Spares parts / Ersatzteile

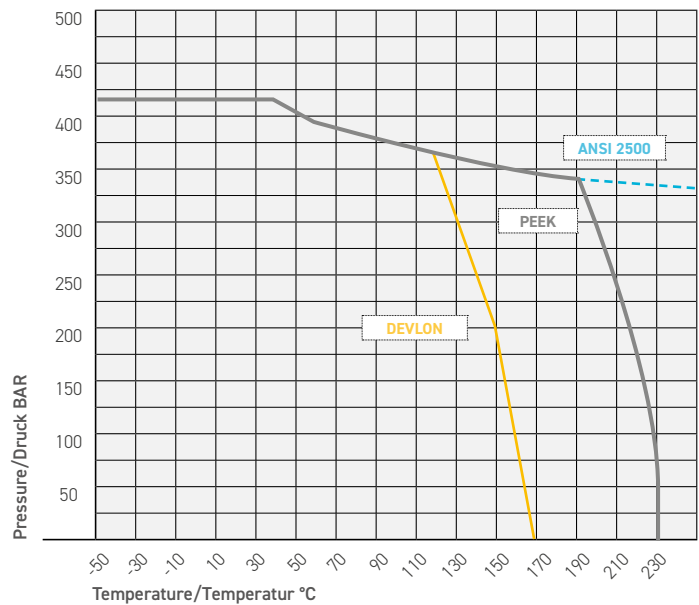
DIMENSIONS / ABMESSUNGEN

| DN | 15 | 20 | 25 | 40 |
|----------|-------|-------|-------|-------|
| ∅" | ½" | ¾" | 1" | 1½" |
| ∅ E | 11 | 14 | 19 | 29 |
| L | 264 | 273 | 308 | 384 |
| M | 180 | 180 | 275 | 380 |
| H | 189,5 | 189,5 | 171,5 | 204,5 |
| h | 56 | 56 | 66 | 94 |
| P | 37,5 | 37,5 | 48,5 | 61 |
| f/t | 12/8 | 12/8 | 16/10 | 22/14 |
| Kg. | 15 | 18 | 21 | 32 |
| ISO 5211 | F05 | F05 | F05 | F07 |
| ∅ F | M6 | M6 | M6 | M8 |
| ∅ G | 50 | 50 | 50 | 70 |

Standard flange facing RJ /
Standard Flansch-Dichtleiste RJ

(P,T) DIAGRAMS / DIAGRAMM

DEVLON SEATS (PEEK ON REQUEST) /
SITZE AUS DEVLON (PEEK AUF ANFRAGE)



DEVLON SEATS/SITZRINGE

| | |
|--------------|-----------------|
| DN | All/Alle |
| P max @ Tmax | 100 bar @ 160°C |

PEEK SEATS/SITZRINGE

| | |
|--------------|----------------|
| DN | All/Alle |
| P max @ Tmax | 45 bar @ 230°C |

