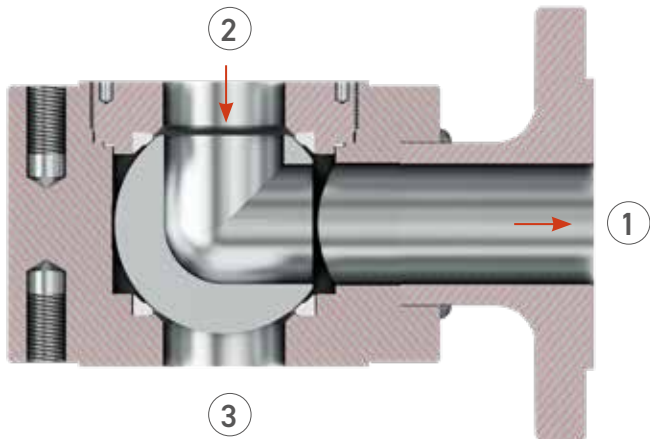


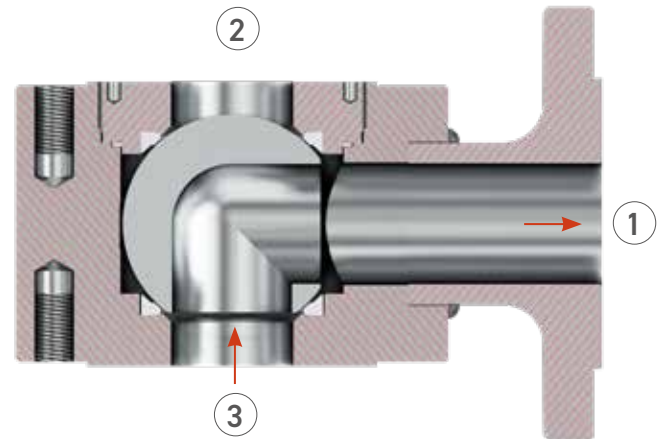
OPERATING DRAFT

SCHALTSTELLUNGEN

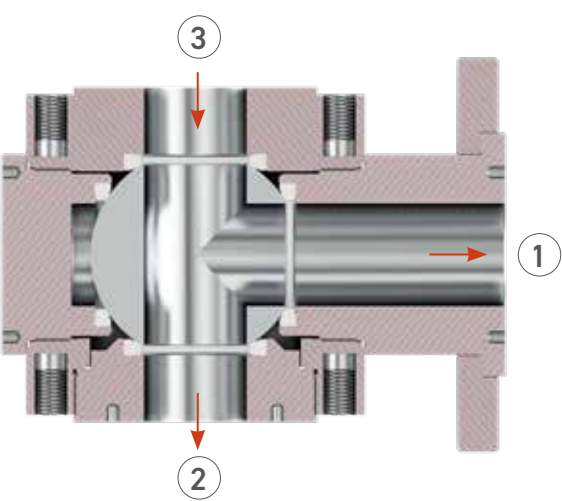
A103 POS 1-2



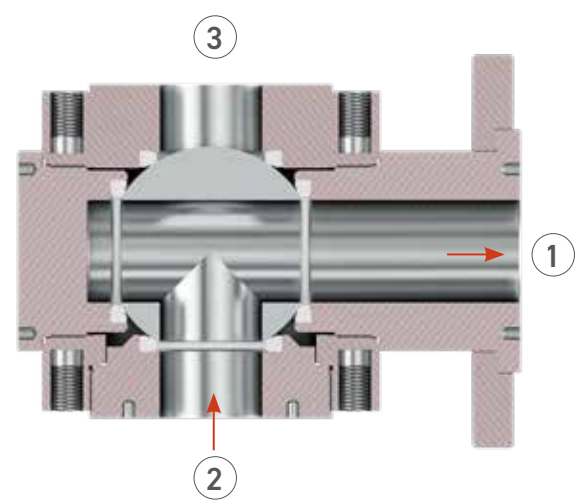
A103 POS 1-3



A103 /4 POS 1-2-3



A103 /4 POS 1-2



A103 /4 POS 1-3

